

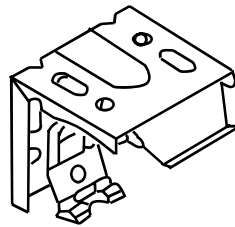
## Installation Instructions

### Cordless Bottom Up & TDBU Cafe' Style

**Cellaris™ Honeycomb Shades:** Your honeycomb shade package contains brackets & screws for mounting the shade in any position on the window. The package should display a label that specifies the corresponding room name and window opening number as well as the mount option (inside/exact/outside).

**Tools needed:** Cordless drill with #2 Phillips drive attachments, standard flat head screwdriver, level, tape measure & pencil.

**Parts included:** Installation brackets & installation screws.

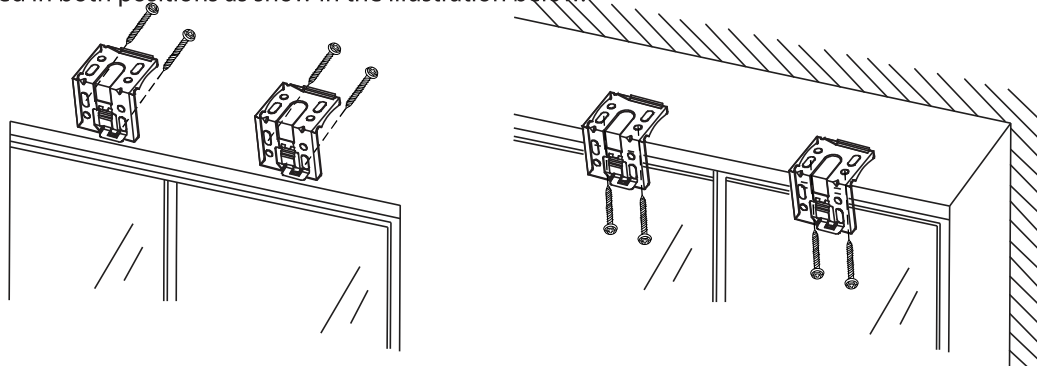


Installation bracket

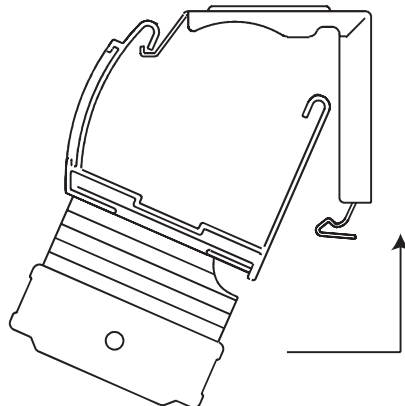


Installation screws

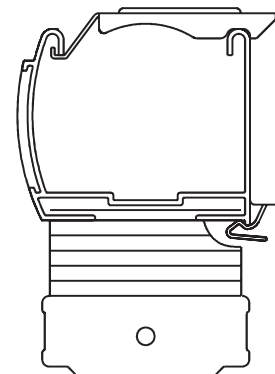
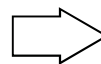
**1 - Mount the brackets:** Attach the brackets to the window frame moulding, wall or ceiling. Brackets are universal and can be installed in both positions as show in the illustration below.



**2 - Install the shade:** Make sure the shade is stacked all the way up. Hook the front (curved) profile of the head rail to the front of the bracket (figure 2.1) and then tilt the back side firmly upwards until you hear a click (figure 2.2). The shade should now be locked firmly as shown in the illustration below.

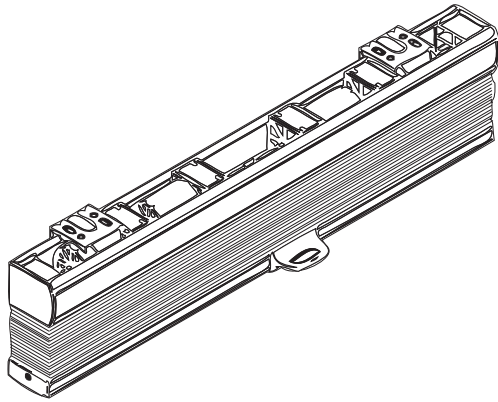


2.1 Hook front of the head rail

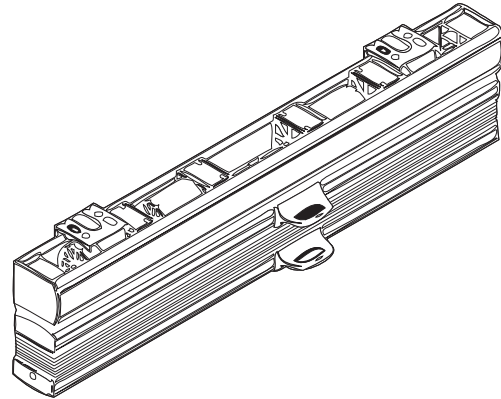


2.2 Tilt the back side upwards until it locks

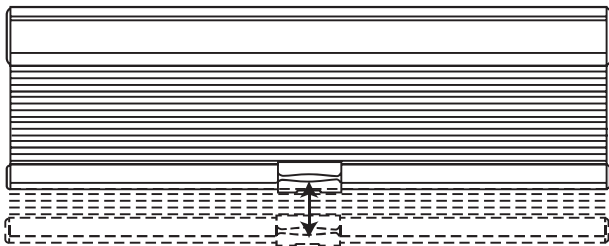
## Installation Instructions



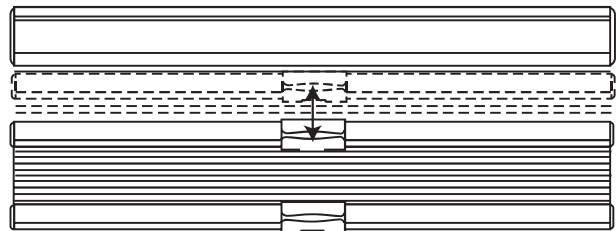
Overview of installed cordless shade



Overview of installed cordless top down bottom up shade



Operation of a cordless shade



Operation of a cordless top down/bottom up shade

**Note:** When installed for the first time, please drop the shade all the way down for at least 48 - 72 hours due to the nature of cellular fabric.

**Cleaning:** Cellaris™ shades can be cleaned or dusted with a feather duster, soft cloth or an appropriate vacuum suction attachment. Do not use cleaning liquids or detergents. Use of cleaning liquids or detergents will void your warranty.